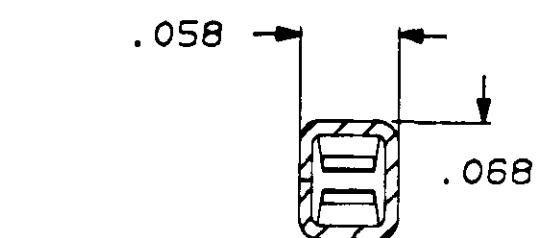
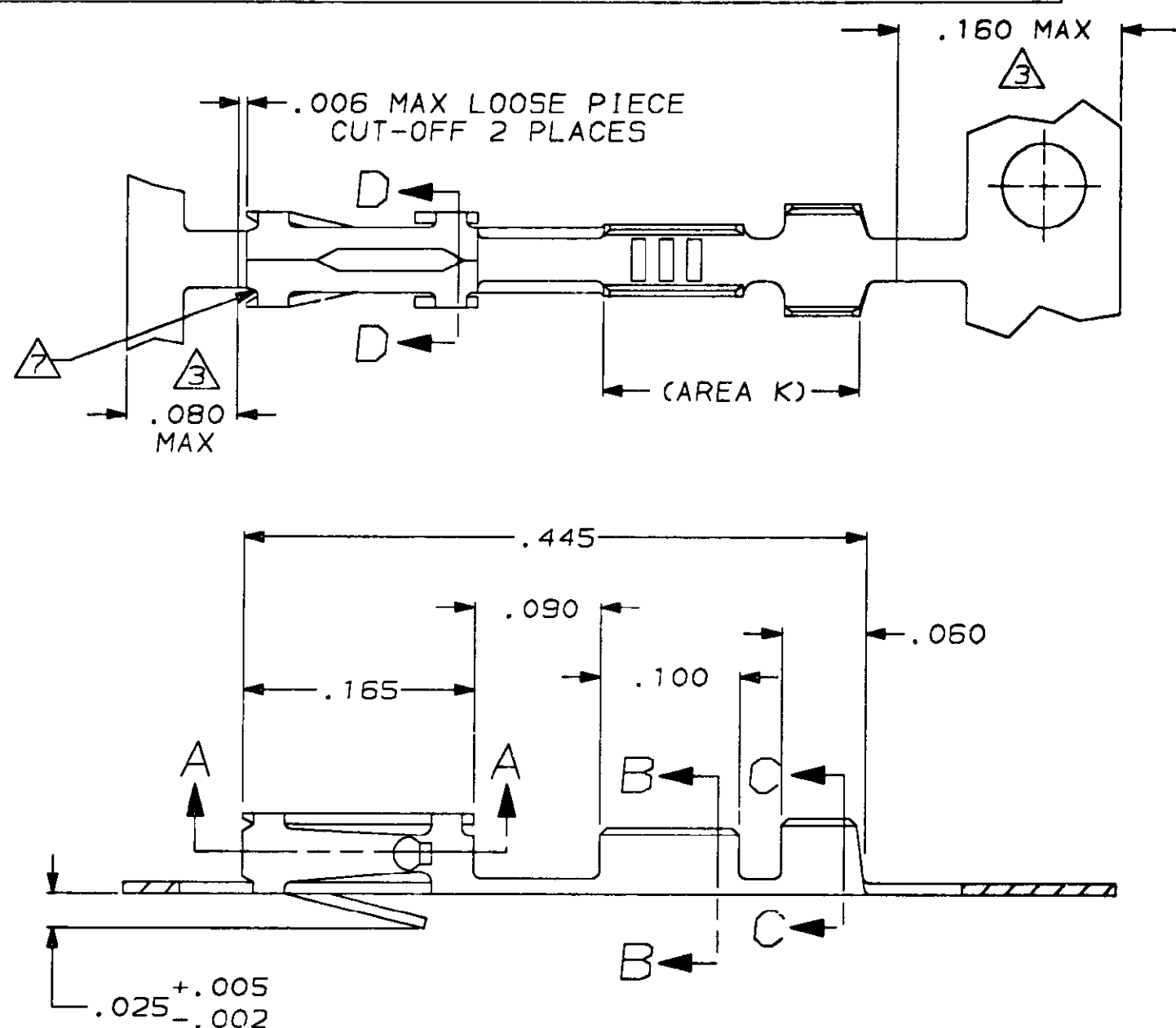


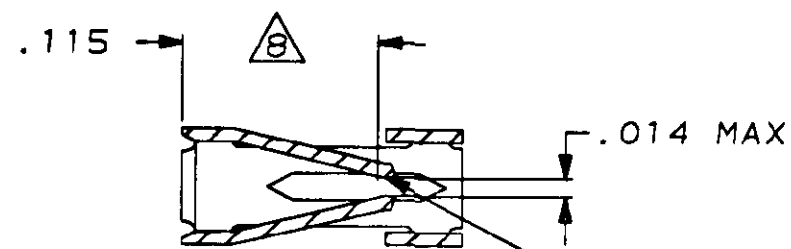
DRAWING MADE IN THIRD ANGLE PROJECTION

THIS DRAWING IS UNPUBLISHED. RELEASED FOR PUBLICATION .19  
 © COPYRIGHT 19 BY AMP INCORPORATED, HARRISBURG, PA. ALL INTERNATIONAL RIGHTS RESERVED. AMP PRODUCTS MAY BE COVERED BY U.S. AND FOREIGN PATENTS AND/OR PATENTS PENDING.

MOD	LOC	DIST	P	F	ZONE	LTR	DESCRIPTION	DATE	APPROVED
30	AD	39					REV PER ECN AR-2356	5/3/89	KIM
							REV LOC & DIST AD-4171	3-90	BF
							REV PER AD-5350	2-20-91	-
							REV PER AD-5463	3-19-91	-
							OBS -8 PER 0010-1863-93	1-14-93	PS



SECTION D-D

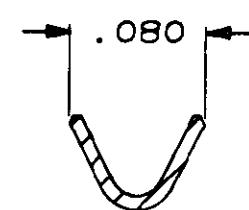


SECTION A-A



SECTION B-B

SECTION B-B



SECTION C-C

INSULATION RANGE - .020-.040 DIA

- ① .000030 GOLD ON CONTACT AREA, GOLD FLASH ON REMAINDER OVER .000050 NICKEL
- 2. REELED FOR MINI APPLICATOR
- ③ GOLD PLATING IS NOT REQUIRED IN THIS AREA
- ④ HAND TOOL USED FOR CRIMPING L.P. CONTACT IS #90358-1
- ⑤ .000015 GOLD ON CONTACT AREA, GOLD FLASH ON REMAINDER OVER .000050 NICKEL
- ⑥ .000030 GOLD ON THE CONTACT AREA, .000100-.000200 93/7 BRIGHT TIN-LEAD IN AREA K, ALL OVER .000050 NICKEL
- ⑦ CUT-OUTS ON THE BOX ARE AT MANUFACTURERS OPTION
- ⑧ POINT OF MEASUREMENT FOR PLATING THICKNESS (INSIDE BEAMS)
- ⑨ OBSOLETE PART NUMBER

LOOSE PIECE	④	⑥	⑨	102918-6
LOOSE PIECE	④	⑤	⑨	102918-5
LOOSE PIECE	④	⑤	⑨	102918-4
LOOSE PIECE	④	⑤	⑨	102918-3
LOOSE PIECE	④	①	⑨	102918-2
LOOSE PIECE	④	①	⑨	102918-1
REMARKS	FINISH		PART NUMBER	

UNLESS OTHERWISE SPECIFIED DIMENSIONS ARE IN INCHES TOLERANCES ON:  
 2 PL DEC ± -  
 3 PL DEC ± .005  
 ANGLES ± -

MATERIAL: BERYLLIUM COPPER, .008 THICK

FINISH: SEE TABLE

DR 5/3/89  
KATE HELM

CHK 6-2-89  
C. OBERMAN

APPD 6-2-89  
J. GESFORD

APPD 6-6-89  
FLINCHBAUGH

PRODUCT SPEC  
108-25021

APPLICATION SPEC  
114-25003

WEIGHT -

**AMP** AMP INCORPORATED  
Harrisburg, Pa. 17105

NAME  
CONTACT, MOD IV 1/2,  
RECEPTACLE, CRIMP  
SNAP-IN

SIZE **C** FSCM NO 00779 DRAWING NO 102918

SCALE 10:1 SHEET 1 OF 1